

STEP-N-LOCK

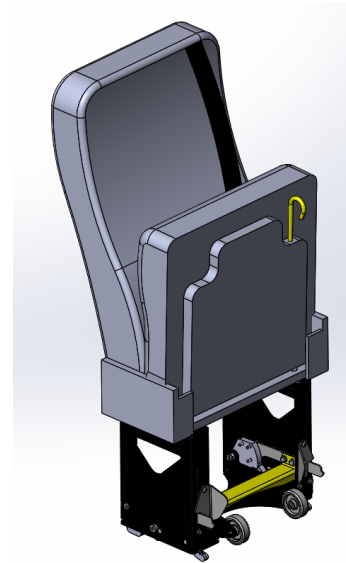
User Guide

For use with Fenton's AbiliTrax flooring system

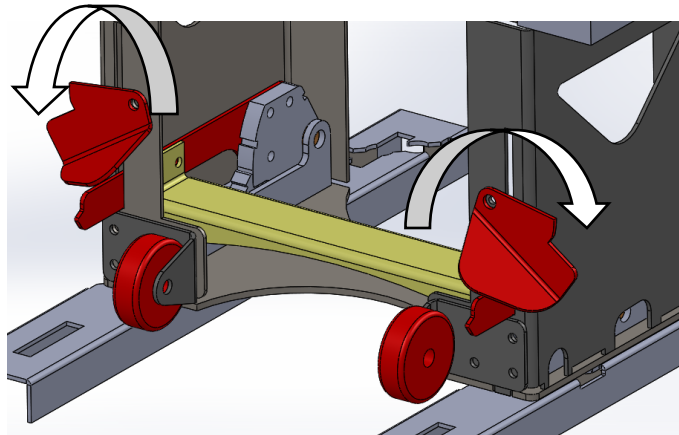
The Step-N-Lock seat system allows for the easy installation, modification, and removal of single seats in a vehicle with Fenton Mobility's AbiliTrax floor system.

This document will describe the process of disengaging a seat for re-installation in a new location.

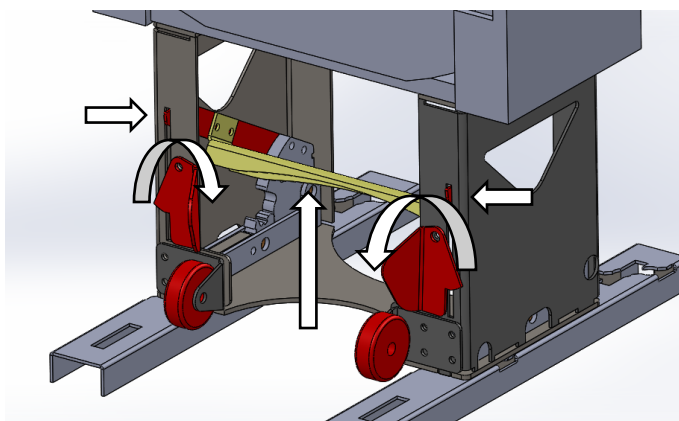
First, **pull** the yellow hook-shaped latch underneath the seat cushion, and **tilt** the seat into the "up" position, as pictured (top-right).



Then, use your foot or hand to **rotate** the two Safety Latches from the inside towards the outside, as pictured (middle-right). This allows the movement of the locking "Step Bar".



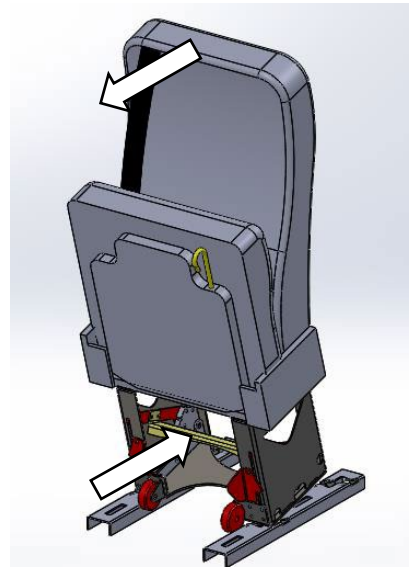
Next, use your foot to **lift** up the Step Bar into the unlocked position. As you do this, the Safety Latches should automatically **rotate** back to their original position as pictured (bottom-right).



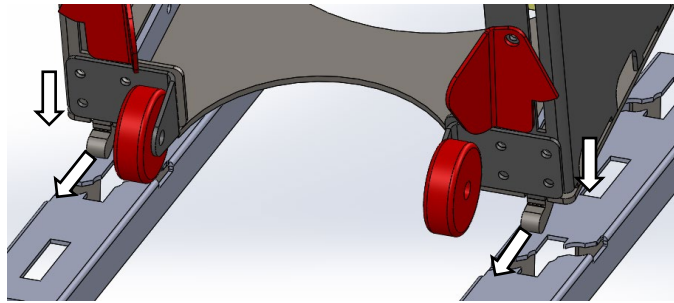
After that, the seat is free to be removed from the AbiliTrax. To do this, **pull** the top of the seat forward while **pushing** the base backward.

This motion should break the Latch Hooks free from the AbiliTrax floor such that the weight of the seat is now resting completely on the rubber wheels.

Keep the seat tilted forward and use the wheels to **move** the seat to the new desired location. **Ensure** there are no obstructions on the ground, and that the seat base is squared with the floor. Once you have selected which track to lock into, **lower** the front-left and front-right Latch Hooks into the holes and **apply forward pressure** to the entire assembly until the latches are fully forward.



Now **tilt** the assembly back until it's flat. The two back Latch Hooks should engage, and the entire assembly should now be resting flat on the AbiliTrax.



At this time, **step** down firmly on the Step Bar, which will lock the seat CAMs into the AbiliTrax. The notches in the rotating Safety Latches should **lock** the tops of the Latch Arms such that the Step Bar can no longer be lifted.



CAUTION – If the Step Bar is pressed down rapidly, it is possible for the Safety Latches to “over rotate” to an unlocked position. If this should occur, simply rotate the Safety Latches back to the locked position. Seats **MUST ALWAYS** be locked into the AbiliTrax tracks and the Safety Latches **MUST ALWAYS** be in the LOCKED POSITION when a seat is in a vehicle. **NEVER** move a vehicle with a loose seat. **NEVER** attempt to occupy a seat which is **NOT** fully installed AND LOCKED. Occupied seats **MUST ALWAYS** be in the FORWARD-FACING POSITION.